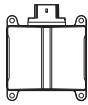



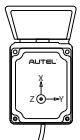


Quick Reference Guide

Front Radar Detection System

Packing List

mmWave Radar		1pc
Display screen		1pc
Spirit level		1pc
Cable		1pc
GPS&IMU module		1pc

Getting Started



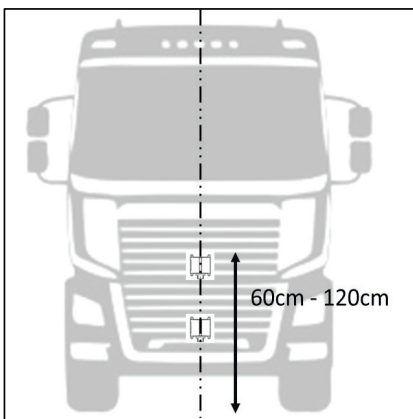
IMPORTANT: Please read these instructions carefully before operating or maintaining this device. Please pay special attention to the safety warnings and precautions. Use this device only as intended. Failure to do so may cause damage and/or personal injury and will void the product warranty.

Radar Installation

1

Installation position:

The radar should be installed at the front side of the truck. The radar can be installed at a height of 60-120cm above the ground. The radar should be installed in the middle of the vehicle.



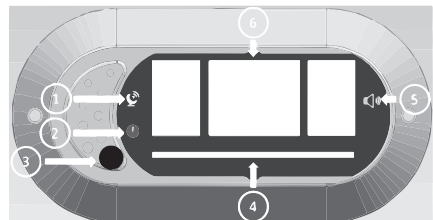
Horizontal angle error should be at best within $\pm 1^\circ$.
Vertical angle error should be within 2° .

Notes on Installation:

- The radar should be installed on a component with little vibration. Strong vibration will negatively affect its detection function.
- The radar should be installed on the most protruding plane of the truck to prevent it from being blocked by other parts and its detection performance from being compromised.

Display Description

2



- ① GPS fault light: on when GPS sensor has no signal (temporary), flashing when GPS sensor is faulty.
- ② System fault light: Light is on when there is a fault in the system.
- ③ Volume button: press to switch between different volume levels
- ④ Display power light: lights up when display has power
- ⑤ Warning sound: lights up when warning sound is on
- ⑥ Warning LED: representation of warning LED, see picture below.

Red light:

- object < 70cm from vehicle

Yellow light:

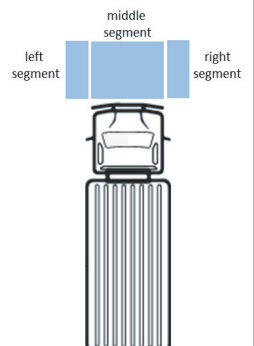
- object between 70cm and 150cm from vehicle

Green light:

- object between 150cm and 250cm from vehicle

Audible warning is triggered, when vehicle is moving off.

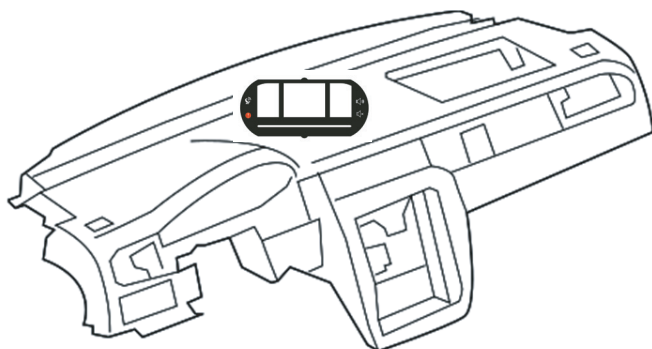
Please note that the audible collision warning when moving off is subject to the acceleration of the vehicle.



Display mounting

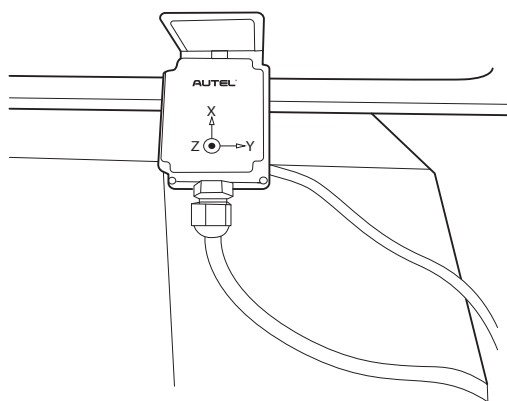
3

Display can be mounted for example on the top of the dashboard, choose a place where the driver can see clearly the warning display.



GPS&IMU module Installation

4

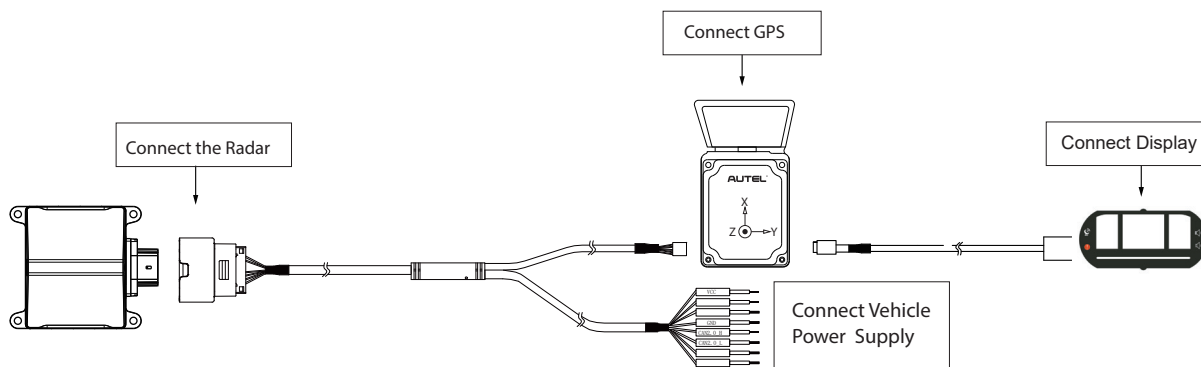


The GPS/IMU Module can be placed anywhere inside the driver cabin, the preferred position is behind the windshield glass and somewhere in the middle of cockpit.

- Place the GPS&IMU module horizontally, and note that the X-axis direction is consistent with the vehicle's forward direction.
- The module can be fixed using screws or double-sided tape.
- The GPS/IMU should be placed on a flat surface

System connect

5



For service and support, please contact your local dealer.